

PRODUCT INFORMATION PACKET

Model No: 5KCR49RN2148T
Catalog No: C1161
2,3450,DP,56H,1/60/115/208-230
Fan and Blower



Regal and Marathon are trademarks of Regal Beloit Corporation or one of its affiliated companies.

©2018 Regal Beloit Corporation, All Rights Reserved. MC017097E





Nameplate Specifications

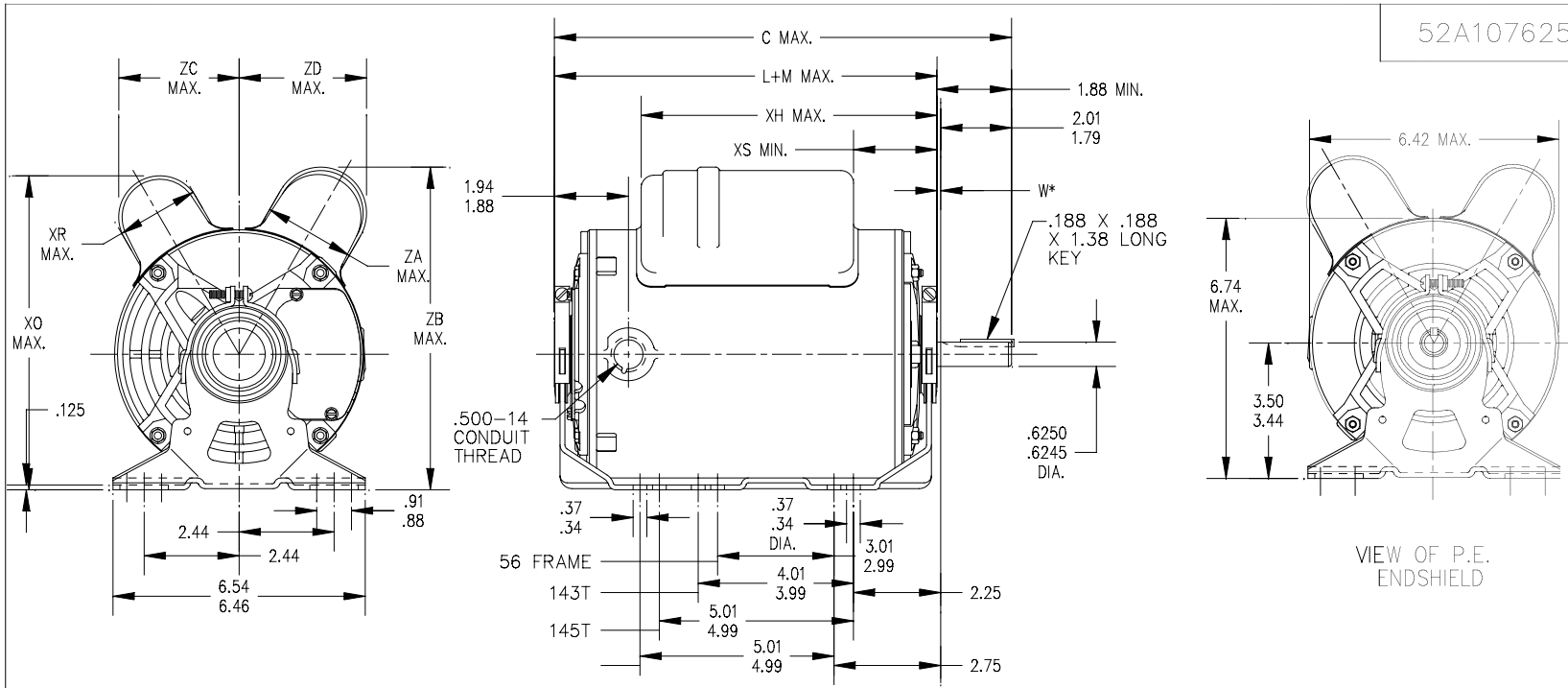
Output HP	2 Hp	Output KW	1.5 kW
Frequency	60 Hz	Voltage	115/208-230 V
Current	19.6,10.4-9.8 A	Speed	3450 rpm
Service Factor	1.2	Phase	1
Efficiency	75.5 %	Duty	Continous
Insulation Class	B	KVA Code	K
Frame	56H	Enclosure	Drip Proof
Overload Protector	AUTO	Ambient Temperature	40 °C
Drive End Bearing Size	6203	Opp Drive End Bearing Size	6203
UL	Recognized	CSA	Yes
CE	N		

Technical Specifications

Electrical Type	Capacitor Start Capacitor Run(CSCR)	Starting Method	SM
Poles	2	Rotation	Selective Counterclockwise
Mounting	Resilient Base	Motor Orientation	Any
Drive End Bearing	BALL	Opp Drive End Bearing	BALL
Frame Material	Rolled Steel	Overall Length	11.9 in
Frame Length	7.68 in	Shaft Diameter	0.630 in
Shaft Extension	1.88 in	Thru-bolts Extension	0
Outline Drawing	52A107625P2	Connection Diagram	52A105383AC

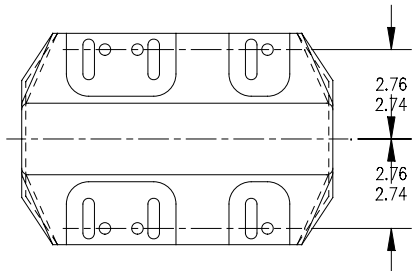
This is an uncontrolled document once printed or downloaded and is subject to change without notice. Date Created: 07/02/2018

52A107625



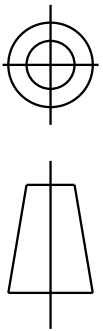
VIEW OF P.E. ENDSHIELD

W* IS A VARIABLE CLEARANCE DUE TO VARIATIONS IN PARTS AND ASSEMBLY.



7	KCR	49	56H	13.96	11.96	10.15	8.18	2.15	2.01	1.60	7.63	3.20	3.16	9.63
6	KCR	49	56H	13.96	11.96	8.30	8.16	2.10	2.63	2.40	8.39	3.14	3.33	9.63
5	KCR	49	56H	13.96	11.96	9.67	8.16	2.10	4.00	2.40	8.39	3.14	3.33	9.63
4	KCR	48	56H	12.66	10.76	7.76	8.18	2.15	2.01	2.40	8.40	3.20	3.38	8.43
3	KCR	48	56H	12.66	10.76	7.76	8.18	2.15	2.01	2.72	8.77	3.20	3.68	8.43
2	KCR	49	56H	11.91	10.01	7.76	8.18	2.15	2.01	1.60	7.81	3.20	3.07	7.68
1	KCR	49	56H	11.91	10.01	7.76	8.18	2.15	2.01	2.40	8.40	3.20	3.38	7.68
P	TYPE	GE SIZE	NEMA FR	C	L+M	XH	XO	XR	XS	ZA	ZB	ZC	ZD	MIN. SHELL

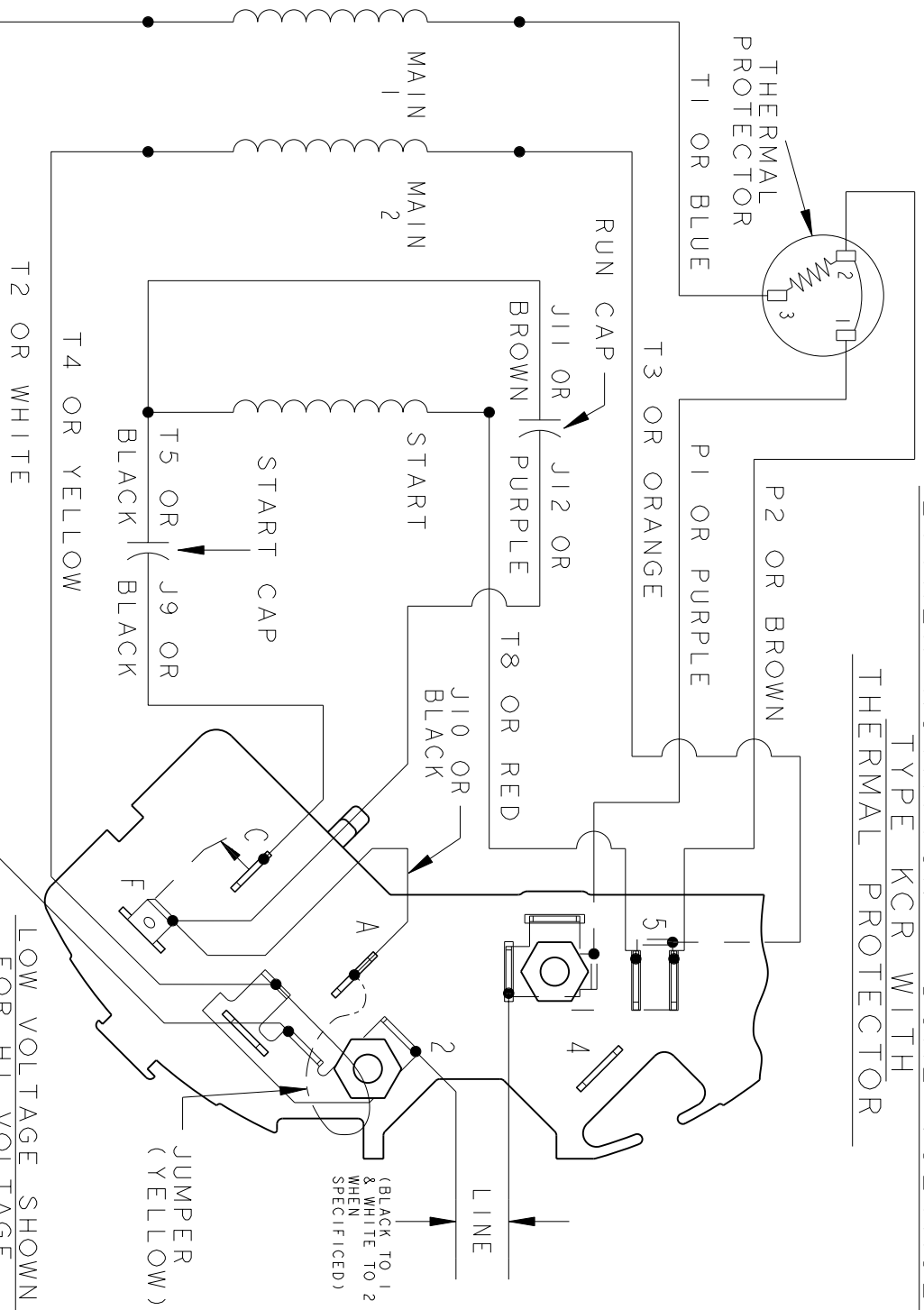
		TOLERANCES UNLESS SPECIFIED		REGAL-BELOIT CORPORATION		DRAWN KK 06/18/15	
		DEC.	INCHES	REGAL-BELOIT CORPORATION		CHK	
		.X	±0.1	TITLE		APPD KK 06/18/15	
		.XX	±0.02	OUTLINE		SCALE 1=1	
		.XXX	±0.005	DP- RESIL BASE - BALL -40 FR		REF XXXXXXXX	
9	ADDED PART #7 PER DS05-1253	RJ 11/10/15	.XXXX	MAT'L.		FMF	
NO.	REVISION	BY & DATE	CHK ANG	FINISH		PREV	
THIS DRAWING IN DESIGN AND DETAIL IS OUR PROPERTY AND MUST NOT BE USED EXCEPT IN CONNECTION WITH OUR WORK. ALL RIGHTS OF DESIGN AND INVENTION ARE RESERVED. THIS IS AN ELECTRONICALLY GENERATED DOCUMENT - DO NOT SCALE THIS PRINT				RFP	CAD FILE	52A107625	SIZE
				DIST			DRAWING NO.
							52A107625
							REV.



REV.	DESCRIPTION	DATE	APPROVED
4	ADDED NOTE FOR LINE LEAD PER DS09-1045	07/15/09	ARCHANA

EITHER ROTATION - DUAL VOLTAGE
TYPE KCR WITH
THERMAL PROTECTOR

52A105383AC



- NOTE # 1 - FOR HI VOLTAGE REMOVE BROWN (P2) FROM TERMINAL #5 AND PLACE ON TERMINAL #4, REMOVE WHITE (T2) FROM TERMINAL #2 AND PLACE ON TERMINAL #5.
- NOTE # 2 - TO REVERSE ROTATION INTERCHANGE BLACK (J10) AND RED (T8) LEADS.
- NOTE # 3 - WHEN MORE THAN ONE CAPACITOR IS USED CONNECT IN PARALLEL.

REF. DIAG. - NONE

SWITCH - 115D958AC
CONNECTION LABEL - 52X332051

SIGNATURES		DATE
MODEL	M.D. PAPE	03/03/88
DETAIL	.	.
CHECKED	.	.
ENGRG	.	.
MFG	.	.
FOR ADDITIONAL INFO REFER TO:	QUALITY	.
APPLIED PRACTICES	ISSUED	M.D.P. 03/03/88
DIMENSIONS ARE IN INCHES	SOLID MODEL:	52A105383AC



REGAL-BELOIT CORPORATION

CONNECTION DIAGRAM

30 FRAME SWITCH REDESIGN

TITLE	SIZE	DRAWING	SCALE	REF. No.	SHEET	REV
	A		1.000		1 of 1	4